



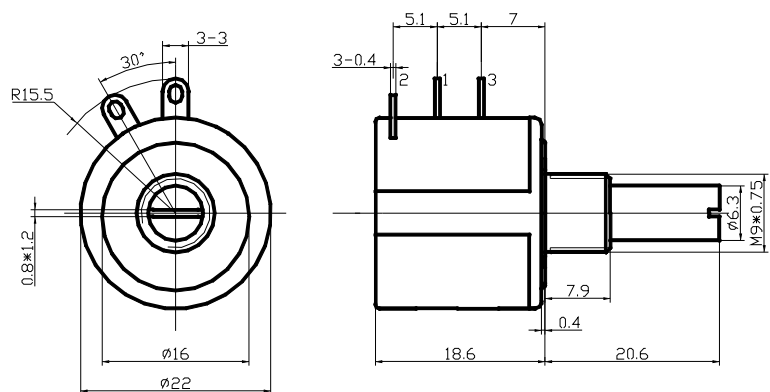
Features

- Multiturn / Wirewound / Industrial
- Metal shaft and bushings
- Bushing mount
- Available with shaft (6mm dia.)

Electrical Characteristics

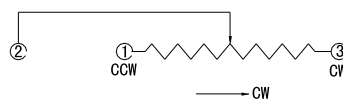
Standard Resistance Range
100 to 100K ohms
(see standard resistance table)
Resistance Tolerance
± 5% std.
Independent Linearity
± 0.25%
Effective Electrical Angle
3600° -10° min.
Absolute Minimum Resistance
0.2% or 2 ohms max.
(whichever is greater)
Noise
100 ohms ENR max.
Insulation Resistance
500 Vdc
1,000 Megohms min.
Dielectric Withstanding Voltage
101.3 kPa 900 Vac

WXD3540 Dimension



Environmental Characteristics

Power Rating (500 volts max.)
2 watt (70°C), 0 watt (125°C)
Temperature Range
-55°C to +125°C
Temperature Coefficient
± 100ppm/°C
Vibration
98 m/s²
(1% Δ TR; 1% Δ VR)
Shock
490 m/s²
(1% Δ TR; 1% Δ VR)
Load Life
1,000 hours 2 watt @ 70°C
(2% Δ TR)
Rotational Life (no load)
1,000,000 shaft revolutions
Total Resistance shift
± 5% Max



Standard Resistance Table

Resistance (Ohms)	Resistance Code
100	101
200	201
500	501
1,000	102
2,000	202
5,000	502
10,000	103
20,000	203
50,000	503
100,000	104

Special resistance is available.

Detail Specification: Q/RYS31-2004

Physical Characteristics

Torque
36 mN · m max.
Stop Strength
300 mN · m min.
Mechanical angle
3600° min.
Standard Packaging
10 or 25 pcs. per box

Howto order

