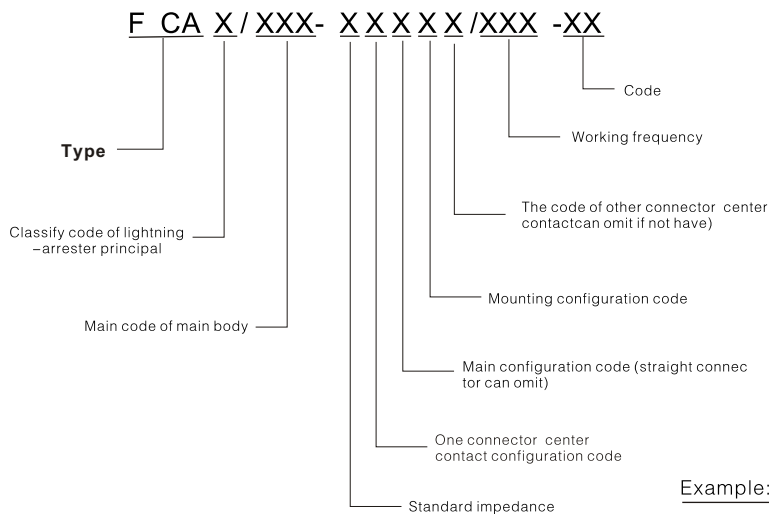


Lightning Arrester

The function of Lightning Arrester for Antenna Feed is used to restrain the thunder–electric waves from the Antenna Feed and bring them in then give them off in order to protect the electric equipments. Lightning means a calamity to the radio equipment. In several micro–second, the wave–rise of voltage will up to kilo–volt, bear enormous load of whole system, may damage the equipment in consequence. Correct exertion guarantee the system in high–efficient operation, At present the ethological of our company can catch the lever of international. All series connector productions, can produce the special production according to customer's requirement.

naming method:



Example:

It means 1/4 RF coaxial lightning arrester whose connector interface is L29 (7\16), frequency is 900MHZ, code is 01.

It means R.F lightning arrester of tube type of gas discharge, the connector is N type, the frequency is DC~3000MHZ.

Classify:

1/4 λ RF coaxial Lightning arrester.

1/4 λ RF coaxial Lightning arrester is a kind of narrow–belt Lightning arrester which is developed according to the working characteristics of 1/4 λ wave length of the mental spill.

Tube type of gas discharge R.F coaxial lightning arrester.

Tube type of gas discharge is a kind of discharge component which full the proper gas medium when discharging, match high–live electron beam material and discharge lead–fire construction.

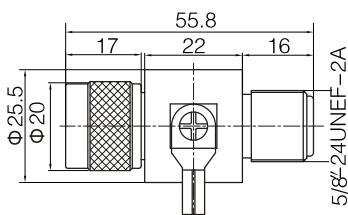
Impact voltage–proof: Lightning arrester doesn't have materiality destroy, but can endure the stimulated cycles, the max voltage value.

Impact electricity–proof: Lightning arrester doesn't have materiality destroy, but can endure the stimulated cycles, the max electricity value.

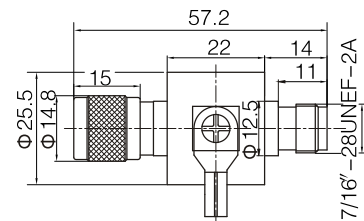
Limited voltage: The voltage value between the two pole when adding the stimulated impact voltage or electricity.

Lightning Arrester

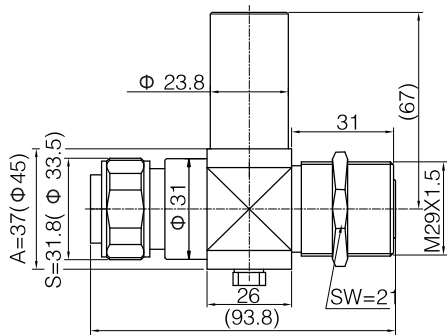
Specifications	FCA0/L29 -JKY/900-01	FCA0/L29 -JKY/1800-01	FCA0/L29 -JKY/800-2200-01	FCA1/N -JK/2500-01	FCA1/TNC -Jk2500-01
Characteristic Impedance	50				
Operating Frequency (MHz)	800-960	1700-1900	800-2200	DC-2500	
VSWR	≤ 1.15		≤ 1.2		
Insertion loss (dB)	≤ 0.1		≤ 0.25		≤ 0.2
Capacity of general flow 8/20 μs(KA)	50		25	5/10	
Connector	N L29		L29	can produce the interface according to customers requirement	



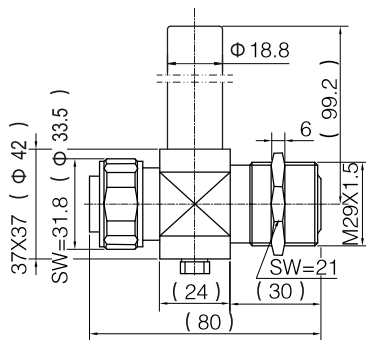
FCA1/N-JK/2500-01



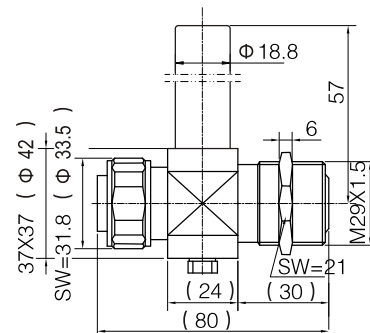
FCA1/TNC-Jk2500-01



FCA0/L29-JKY/800-2200-01



FCA0/L29-JKY/1800-01



FCA0/L29-JKY/900-01