

Flanged Mount Termination Series

Order Information

HR XXX F XXX X X-xx X

Manufacture: CLEC

Impedance: $10\ \Omega \sim 500\ \Omega$, Type: $50\ \Omega$

Flanged structure,

Power rating: W

Environment request 0 –no request; 1 –lead free; 2 –environment friend.

Precision class: P—high precision; no—general;

Frequency(MAX): GHz

Product Number

Reliability data

Temperature range: -65°C to $+125^{\circ}\text{C}$

Humidity: 95%RH Temperature: $+40 \pm 2$

Vibration: 10~500Hz swing 0.75mm acceleration 100m/S^2

Impact: acceleration: 500m/S^2 X Y Z per 3 time

Temperature Characteristic

Operation Temperature 55 +100

Storage Temperature 55 +100

Product Reference Guide

Frequency Range: DC ~6GHz

VSWR: 1.30 1 MAX

Power: 10W~250W

Product Material

Substrate: Nominal: Beryllia (BeO)

Environment Friend: Aluminum Nitride (AlN)

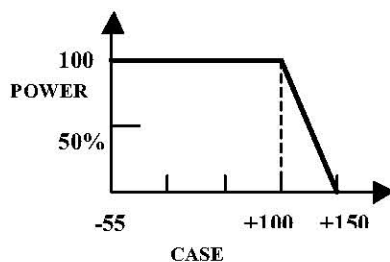
Cover: Alumina (Al_2O_3)

Flange: Nickel Plated Copper

Tabs: Pure silver

Element: Thick Film or Thin Film

Power derating



Attestation

RoHS Compliant

1. HR050F020XX – 06A,B

Electrical Specifications:

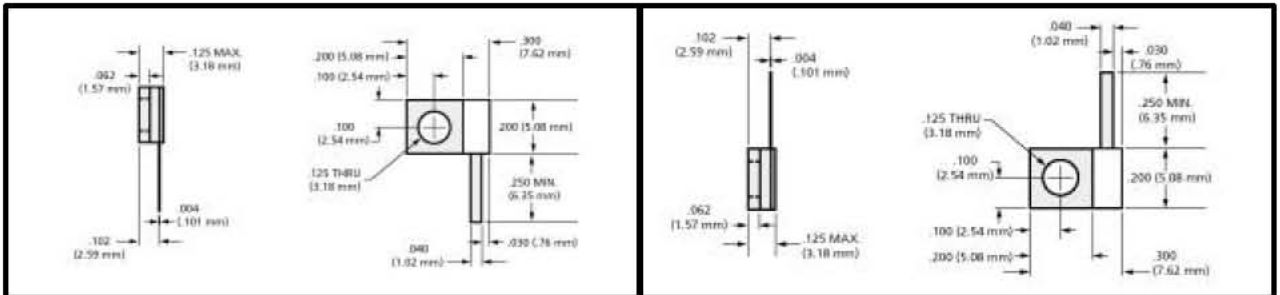
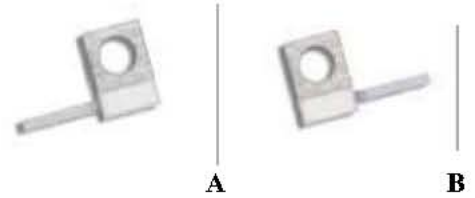
Nominal impedance : 50 Ω ± 5% standard

Frequency: DC ~ 6GHz

VSWR: 1.15 1 (4GHz); 1.30 1 (6GHz)

Power: 20 Watts

Temperature Coefficient of Resistance: ± 150ppm/



2. HR050F020XX – 06B

Electrical Specifications:

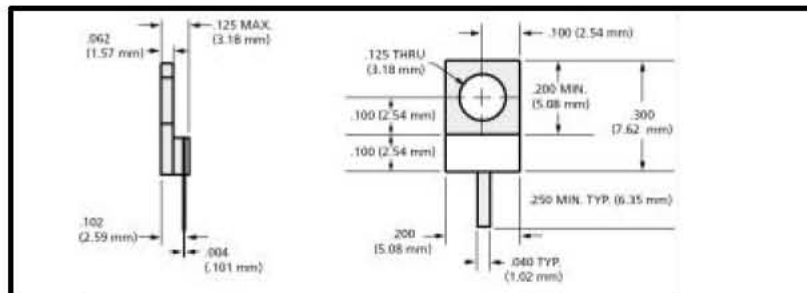
Nominal impedance : 50 Ω ± 5% standard

Frequency: DC ~ 6GHz

VSWR: 1.15 1 (4GHz); 1.30 1 (6GHz)

Power: 20 Watts

Temperature Coefficient of Resistance: ± 150ppm/



3. HR050F025XX – 04A

Electrical Specifications:

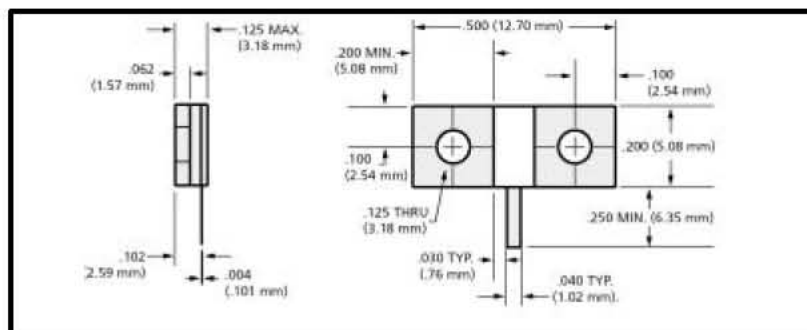
Nominal impedance : 50 Ω ± 5% standard

Frequency: DC ~ 4GHz

VSWR: 1.20 1

Power: 25 Watts

Temperature Coefficient of Resistance: ± 150ppm/



4. HR050F060XX – 04A

Electrical Specifications:

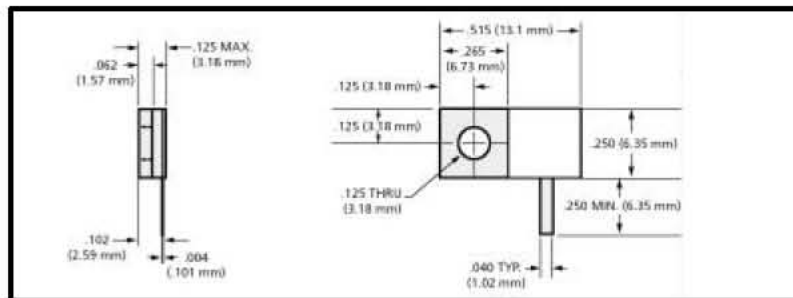
Nominal impedance : $50 \Omega \pm 5\%$ standard

Frequency: DC ~4GHz

VSWR: 1.20 1

Power: 60 Watts

Temperature Coefficient of Resistance: $\pm 150\text{ppm}/$



5. HR050F060XX – 03A

Electrical Specifications:

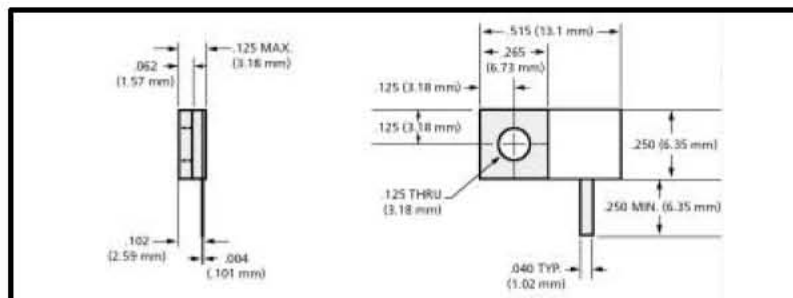
Nominal impedance : $50 \Omega \pm 5\%$ standard

Frequency: DC ~2.5GHz

VSWR: 1.15 1

Power: 60 Watts

Temperature Coefficient of Resistance: $\pm 150\text{ppm}/$



6. HR050F060XX – 04B

Electrical Specifications:

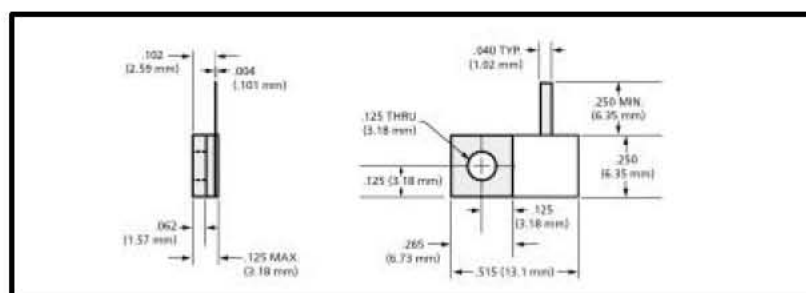
Nominal impedance : $50 \Omega \pm 5\%$ standard

Frequency: DC ~ 4GHz

VSWR: 1.20 1

Power: 60 Watts

Temperature Coefficient of Resistance: $\pm 150\text{ppm}/$



7. HR050F060XX – 03B

Electrical Specifications:

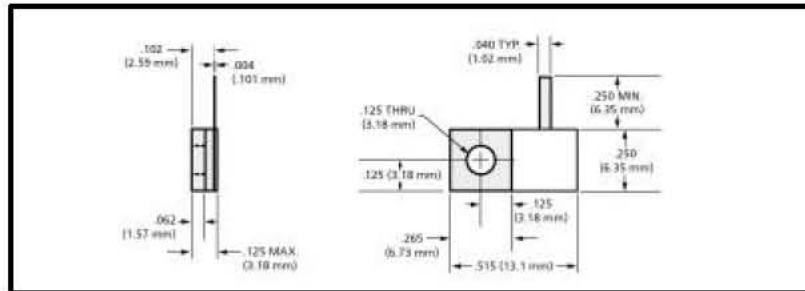
Nominal impedance : $50 \Omega \pm 5\%$ standard

Frequency: DC ~ 2.5GHz

VSWR: 1.15 1

Power: 60 Watts

Temperature Coefficient of Resistance: $\pm 150\text{ppm}/$



8. HR050F060XX – 04C

Electrical Specifications:

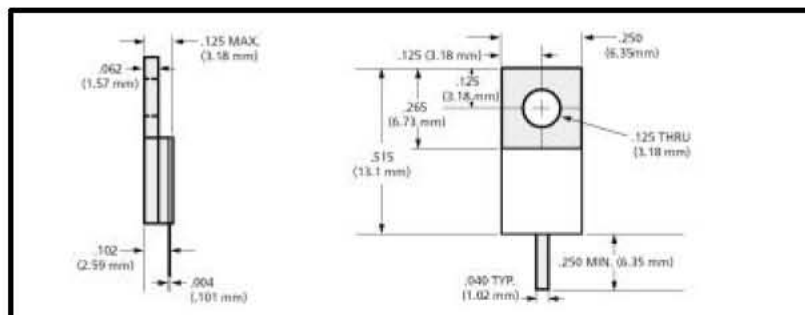
Nominal impedance : $50 \Omega \pm 5\%$ standard

Frequency: DC ~ 4GHz

VSWR: 1.20 1

Power: 60 Watts

Temperature Coefficient of Resistance: $\pm 150\text{ppm}/$



9. HR050F060XX – 03C

Electrical Specifications:

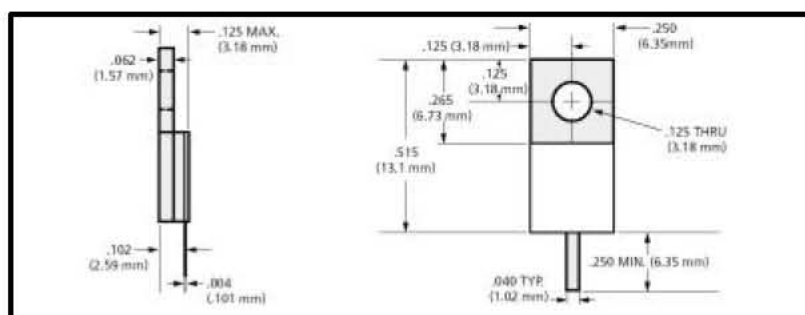
Nominal impedance : $50 \Omega \pm 5\%$ standard

Frequency: DC ~ 2.5GHz

VSWR: 1.15 1

Power: 60 Watts

Temperature Coefficient of Resistance: $\pm 150\text{ppm}/$

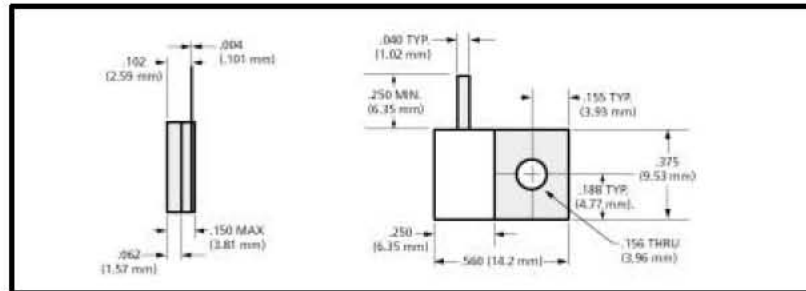


10. HR050F075XX – 04A**Electrical Specifications:**Nominal impedance : $50 \Omega \pm 5\%$ standard

Frequency: DC ~ 4GHz

VSWR: 1.20 1

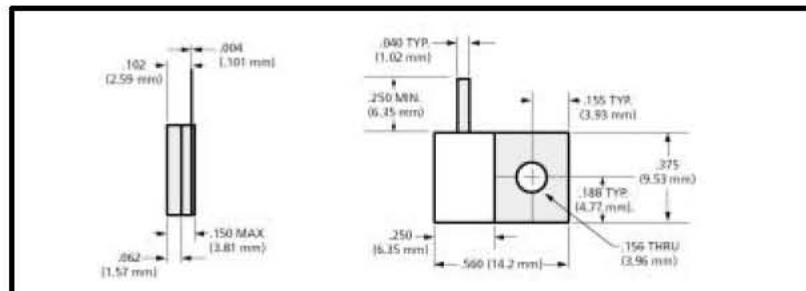
Power: 75 Watts

Temperature Coefficient of Resistance: $\pm 150\text{ppm/}$ **11. HR050F075XX – 02A****Electrical Specifications:**Nominal impedance : $50 \Omega \pm 5\%$ standard

Frequency: DC ~ 2GHz

VSWR: 1.15 1

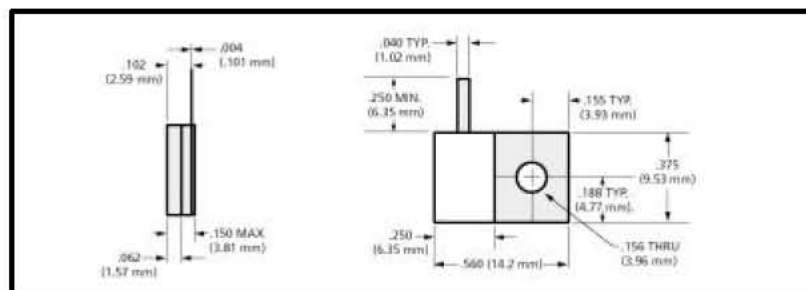
Power: 75 Watts

Temperature Coefficient of Resistance: $\pm 150\text{ppm/}$ **12. HR050F075XX – 04B****Electrical Specifications:**Nominal impedance : $50 \Omega \pm 5\%$ standard

Frequency: DC ~ 4GHz

VSWR: 1.20 1

Power: 75 Watts

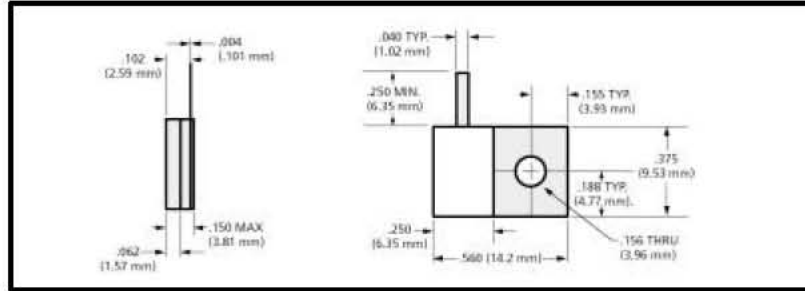
Temperature Coefficient of Resistance: $\pm 150\text{ppm/}$ 

13. HR050F075XX – 02B**Electrical Specifications:**Nominal impedance : $50 \Omega \pm 5\%$ standard

Frequency: DC ~ 2GHz

VSWR: 1.15 1

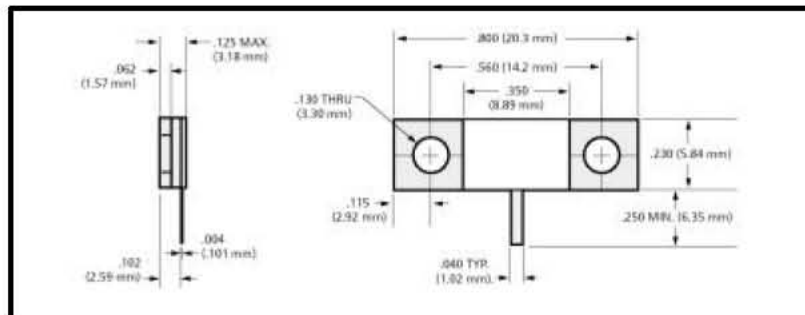
Power: 75 Watts

Temperature Coefficient of Resistance: $\pm 150\text{ppm/}$ **14. HR050F050XX – 06A****Electrical Specifications:**Nominal impedance : $50 \Omega \pm 5\%$ standard

Frequency: DC ~ 6GHz

VSWR: 1.15 1(2.5GHz) ; 1.20 1(6GHz)

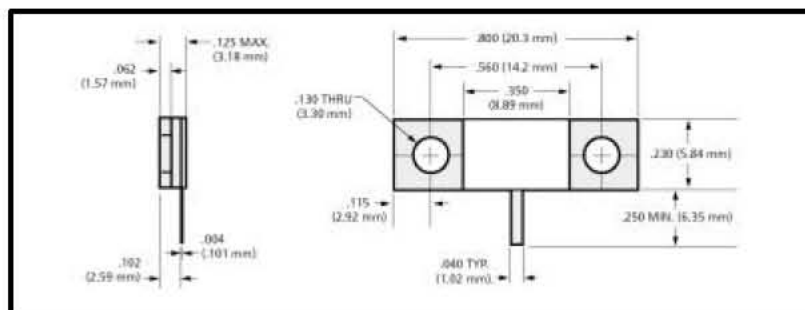
Power: 50 Watts

Temperature Coefficient of Resistance: $\pm 150\text{ppm/}$ **15. HR050F100XX – 06A****Electrical Specifications:**Nominal impedance : $50 \Omega \pm 5\%$ standard

Frequency: DC ~ 6GHz

VSWR: 1.15 1(2.5GHz) ; 1.20 1(6GHz)

Power: 100 Watts

Temperature Coefficient of Resistance: $\pm 150\text{ppm/}$ 

16. HR050F100XX – 04A

Electrical Specifications:

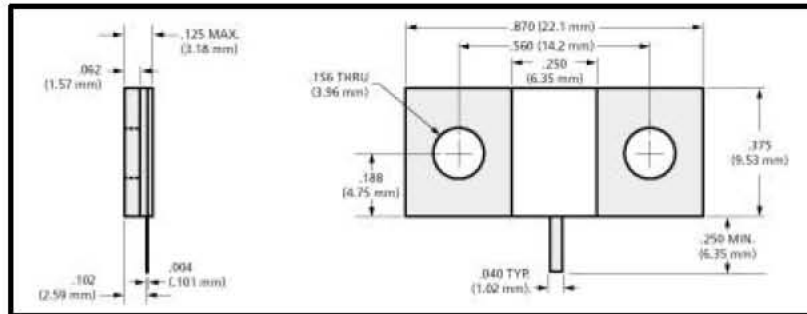
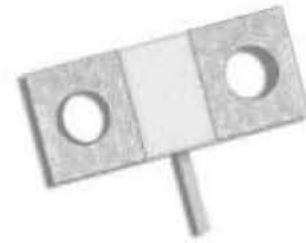
Nominal impedance : 50 Ω ± 5% standard

Frequency: DC ~ 4GHz

VSWR: 1.20 1

Power: 100 Watts

Temperature Coefficient of Resistance: ± 150ppm/



17. HR050F150XX – 01A

Electrical Specifications:

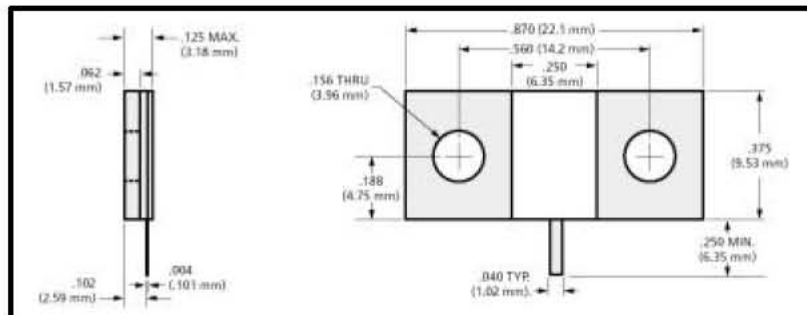
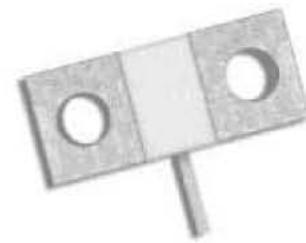
Nominal impedance : 50 Ω ± 5% standard

Frequency: DC ~ 1.1GHz

VSWR: 1.20 1

Power: 150 Watts

Temperature Coefficient of Resistance: ± 150ppm/



18. HR050F125XX – 02A

Electrical Specifications:

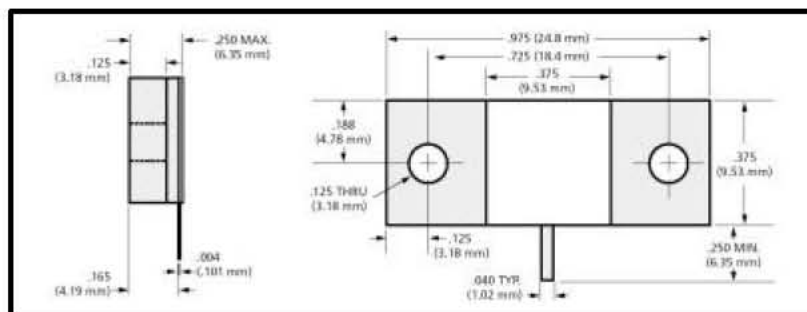
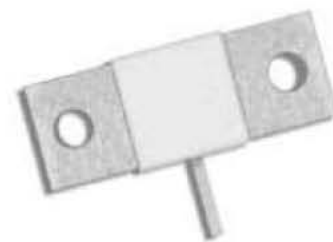
Nominal impedance : 50 Ω ± 5% standard

Frequency: DC ~ 2GHz

VSWR: 1.20 1

Power: 125 Watts

Temperature Coefficient of Resistance: ± 150ppm/

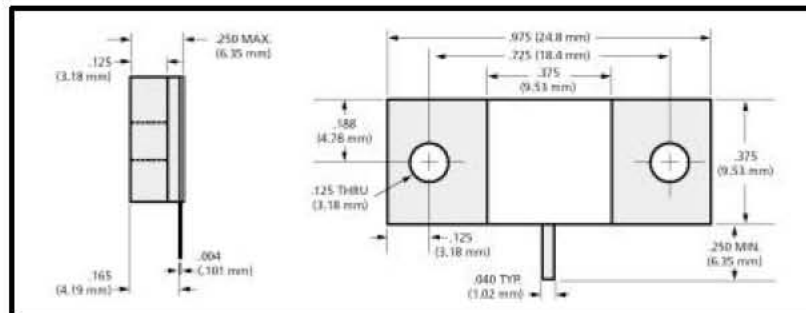
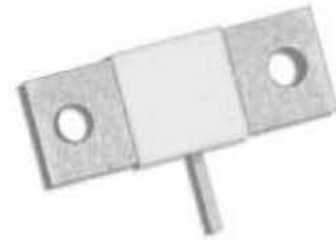


19. HR050F200XX – 01A**Electrical Specifications:**Nominal impedance : $50 \Omega \pm 5\%$ standard

Frequency: DC ~ 1GHz

VSWR: 1.20 1

Power: 200 Watts

Temperature Coefficient of Resistance: $\pm 150\text{ppm/}$ **20. HR050F250XX – 01A****Electrical Specifications:**Nominal impedance : $50 \Omega \pm 5\%$ standard

Frequency: DC ~ 1GHz

VSWR: 1.20 1

Power: 250 Watts

Temperature Coefficient of Resistance: $\pm 150\text{ppm/}$ 