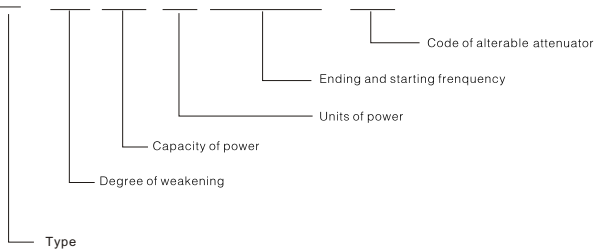


## Attenuator

Attenuator is mainly used to weaken the microwave signal. It is used for testing equipment and monitoring the receiving-sending information. The series of Attenuator that CLEC offers can satisfy requirements of different customer.

Consisting of naming the attenuator :

**FA XX XX W XXX/XXX**



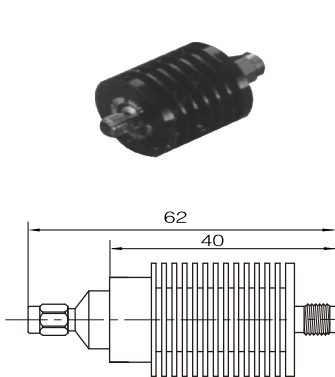
Degree of weakening: e.g. 6.15 means weakening to 6db 15 db.

Capacity of power: e.g. 0.5 20 means 5w 20w.

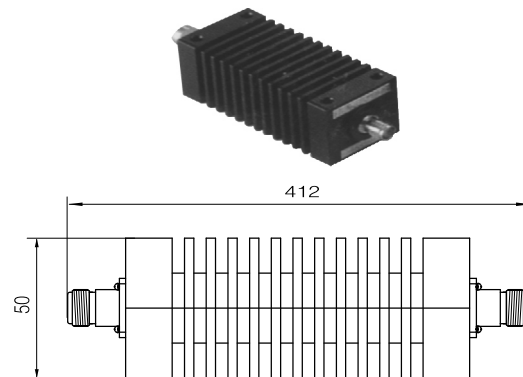
Ending and Starting frequency (Units MHz); It can omit when up to G, e.g. the frequency is 1680MHZ can short of 1.68; The frequency is 2000MHZ can short of 2.0.

(C) Code of alterable attenuator, omitting means attenuator.

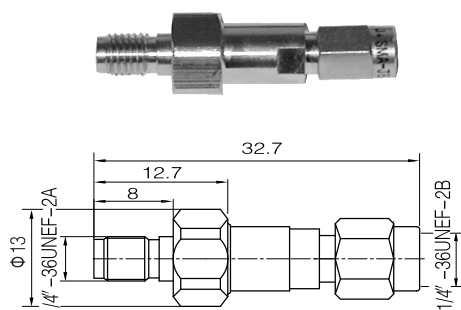
Specifications	FA-1001W800/1.0	FA-1515W800/3.0	FA-0330W800/3.0	FA-1050W800/3.0
Operating Frequency ( MHz )	800-1000	800-3000		
Insertion loss ( dB )	10 ± 0.4	15 ± 0.5	3 ± 0.3	10 ± 0.4
Return loss ( dB )	≥ 20			
Power Capacity ( W )	1	15	30	50
Connector	SMA-KF ( N-K、TNC-K )			



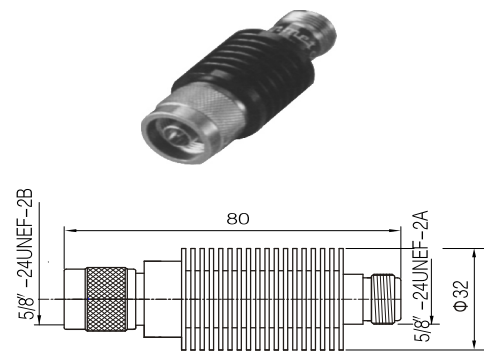
FA-1515W800/3.0



FA-1050W800/3.0



FA-1001W800/1.0



FA-0330W800/3.0