

SPY10BC Pressure Sensor(Pressure Transmitter)



Overview

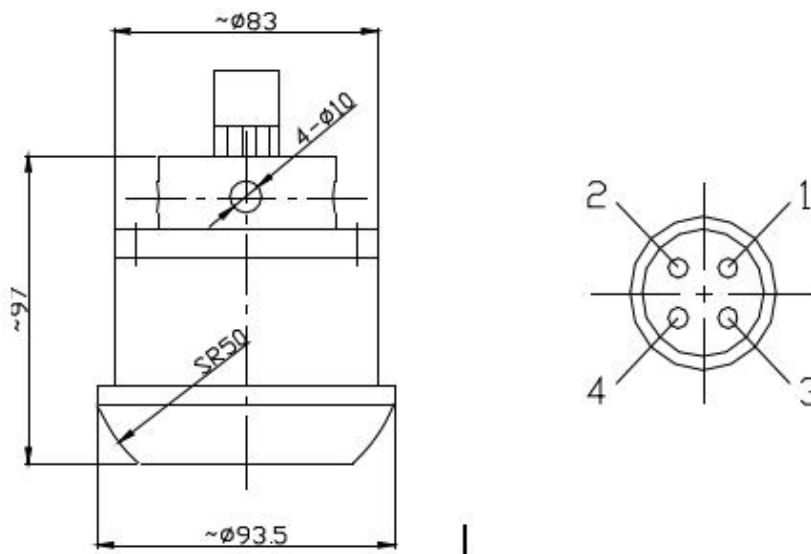
SPY10BC strain-type high-pressure pressure sensor (transmitter) is a new product integrating domestic and foreign advanced technology. The sensor adopts imported strain gauges with high-precision and high-resistance and domestic unique diaphragm technology, and the measurement range can reach 120Mpa, which is characterized by high response, high precision, strong structure, corrosion resistance, anti-vibration, high performance and cost-effective. Widely used in oil industry drilling equipment, especially high pressure measurement of imported fracturing trucks, cementing trucks, etc., the product can be comparable to similar products in the world.

Technical parameters

1. Nonlinearity: 0.5%
2. Hysteresis error: 0.5%
3. Repeatability: 0.5%
4. Working temperature range: -30°C~70°C
5. Compensated temperature range: -10°C~50°C

6. Temperature zero drift: 0.5%/°C
7. Power supply voltage: 12~32VDC(Typical value 24VDC)
8. Output signal: 4-20mA (Two-wire system) 1~5VDC; 0.5~4.5VDC (Three-wire system)
9. Range: 50,.....120MPa

Outline dimensions



Use and maintenance

1. The sensor is a high-precision pressure measuring device and should be calibrated before use. It is recommended to calibrate it every six months to facilitate accurate measurement.
2. When the sensor is not in use, it should be stored in a clean environment with a temperature of 10°C to 30°C and a humidity of no more than 80%. Best be stored in the drying tower.
3. Sensor wiring is as shown in the figure. When using it, plug tightly to ensure reliable connection.
4. Wiring method:

1 Red - Power supply V+	2 Blue – Signal output OUT (Two-wire system)
1 Red - Power supply V+	2 Blue – Signal output OUT
4 Yellow GND (Three-wire system)	